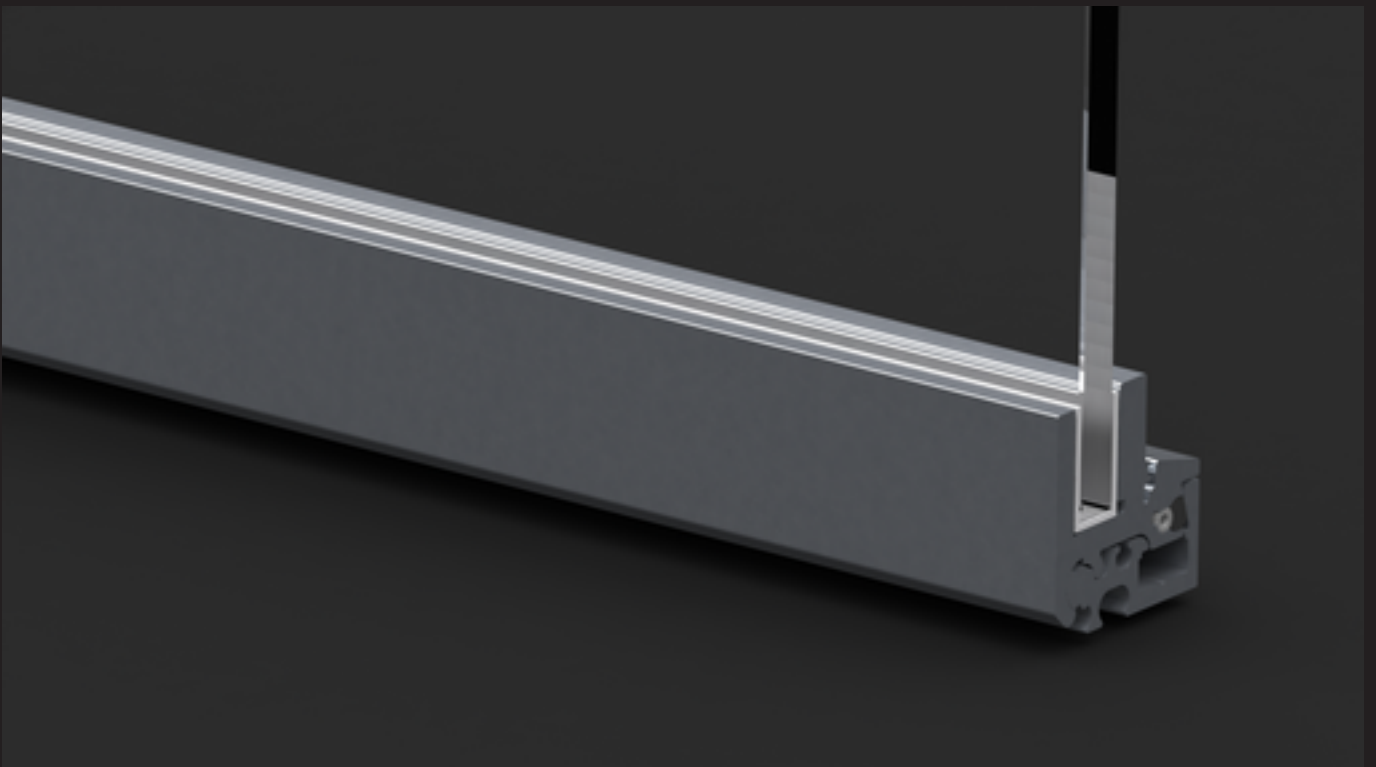
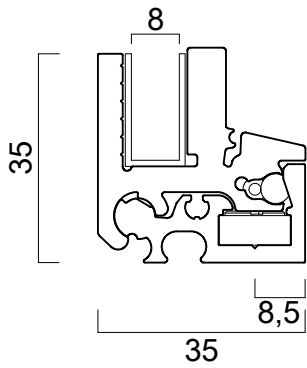
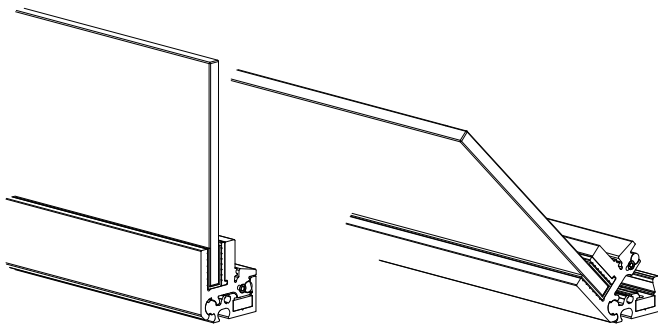


**Type 120**  
**Series 100 (without struts)**

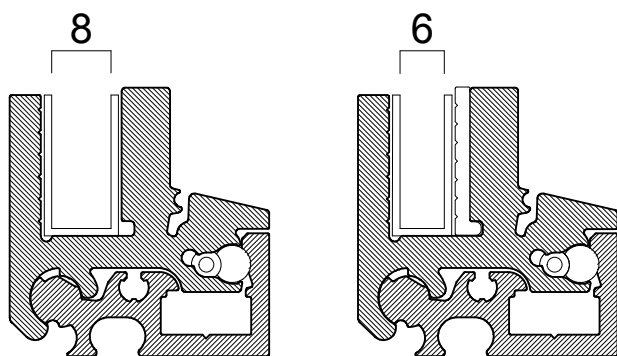


## Product characteristics

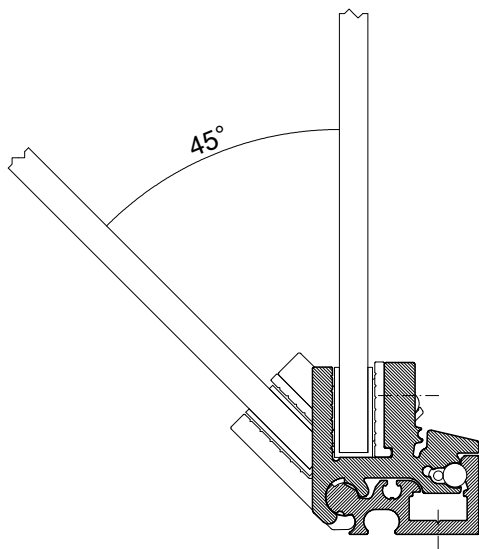
- tilt-forward hardware for assembly on top of counter
  - small dimensions 35 x 35 mm
  - force-limited locking
  - adjustable front glass
- 
- for front glass 6 mm and 8 mm
  - glass height up to 500 mm
  - integrated upright price tag
  - removable glass front
  - assembly of heating cable possible



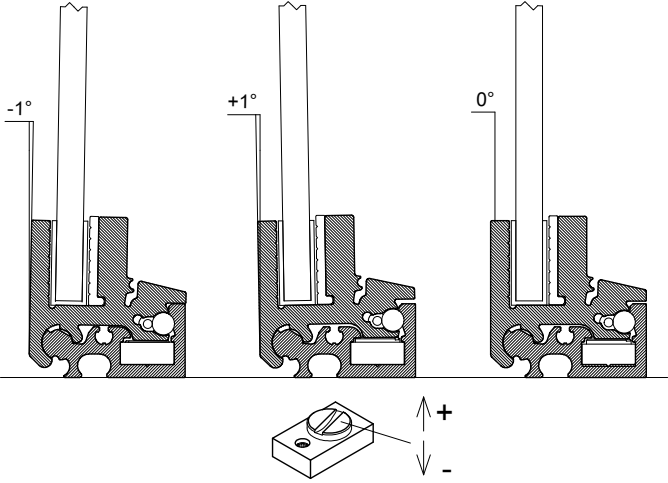
**Planning information**



**Opening of front glass**



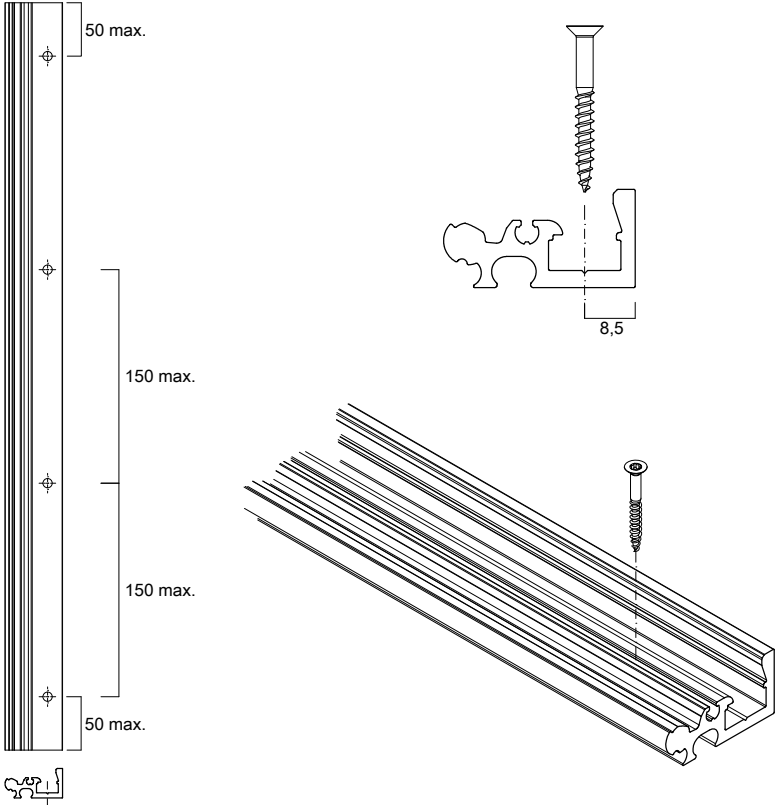
**Tilting of front glass**



Degree of tilting adjustable by strikers.

**Assembly**

■ **Drill position of base profile:**

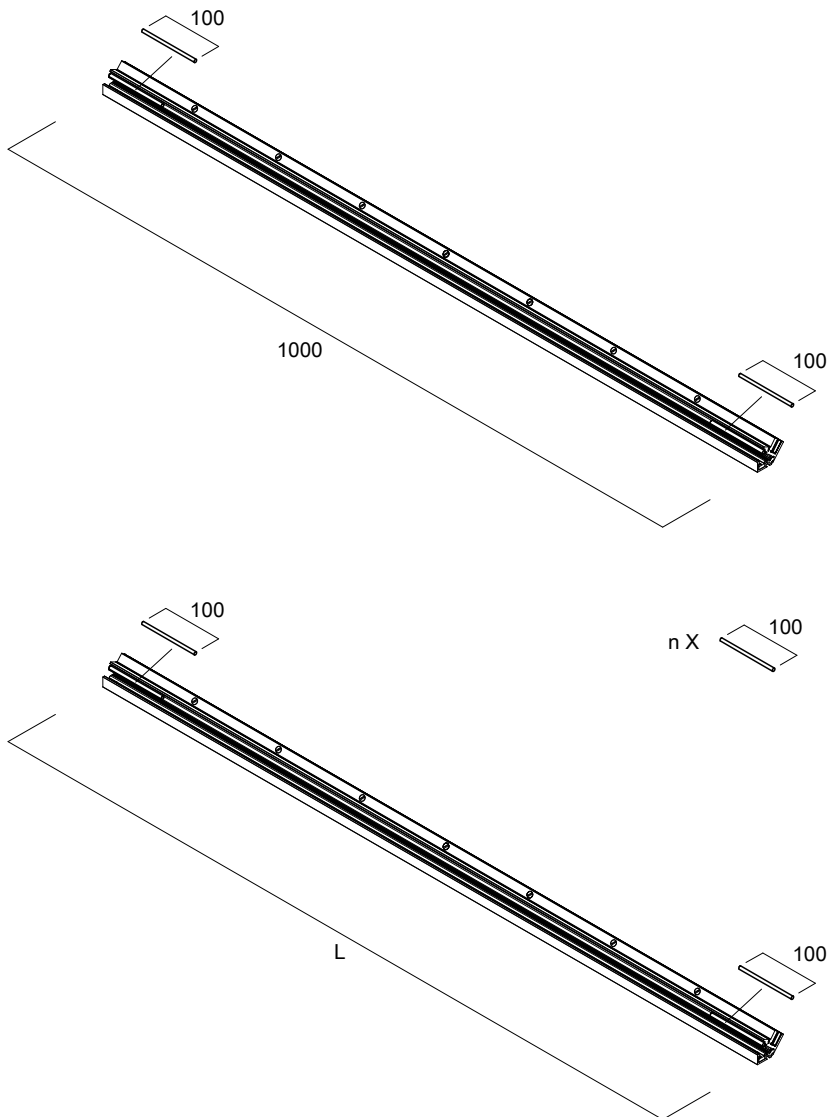


■ **Adjustment of locking force:**

Plastic rod 054.0650.086.0100:

Use approx. 2 pieces with 1000 mm hardware length.

The more pieces are inserted, the higher is the locking force.



■ **Length relations for hardware sections:**

Length front glass [mm] = length glass clamp profile [mm] – 1 mm on each side

Length glass clamp profile [mm] = length base profile [mm] – 2 mm

■ **Front glass:**

When mounting the glass into the glass clamps profile please make sure to tighten the screws with 1.0-1.2 Nm.

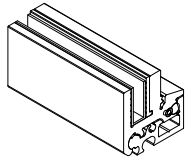
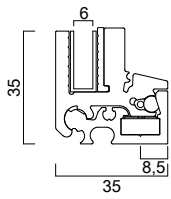
We recommend using tempered safety glass.

Please note that we assume no warranty on the glasses.

**Type 120**  
Picture

**Product**

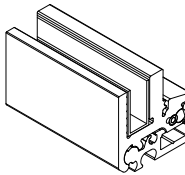
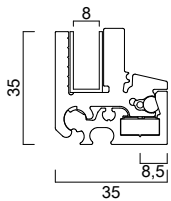
**Part number**



**Type 120 tilt-forward hardware**  
for 6 mm front glass

5000mm

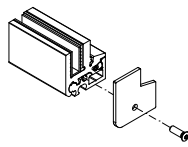
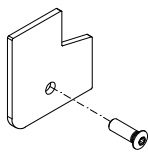
**13.443.4643.XXX**



**Type 120 tilt-forward hardware**  
for 8 mm front glass

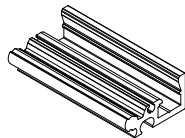
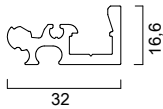
5000mm

**13.443.4644.XXX**



**Type 120 end cap**

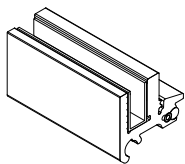
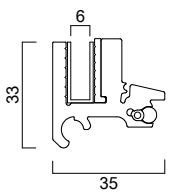
**13.443.4651.XXX**



**Type 120 base profile**

5000mm

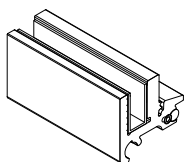
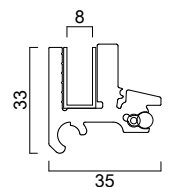
**13.052.3940.XXX**



**Type 120 glass clamp profile complete**  
for 6 mm front glass

5000mm

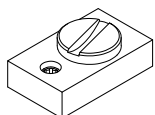
**13.443.4627.XXX**



**Type 120 glass clamp profile complete**  
for 8 mm front glass

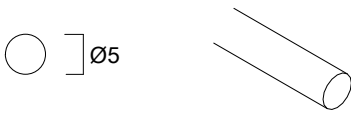
5000mm

**13.443.4628.XXX**



**Type 120 striker**

**13.443.4654.000**

Picture	Product	3000mm	Part number
	<b>Plastic rod, Ø 5 mm</b> total or partial insertion to control locking force		<b>13.054.0650.086</b>
◎ ]Ø4	<b>Silicone, Ø 4 X 1 mm</b> transparent	25m 5000mm	<b>054.0547.087</b> <b>054.0547.087.5000</b>

