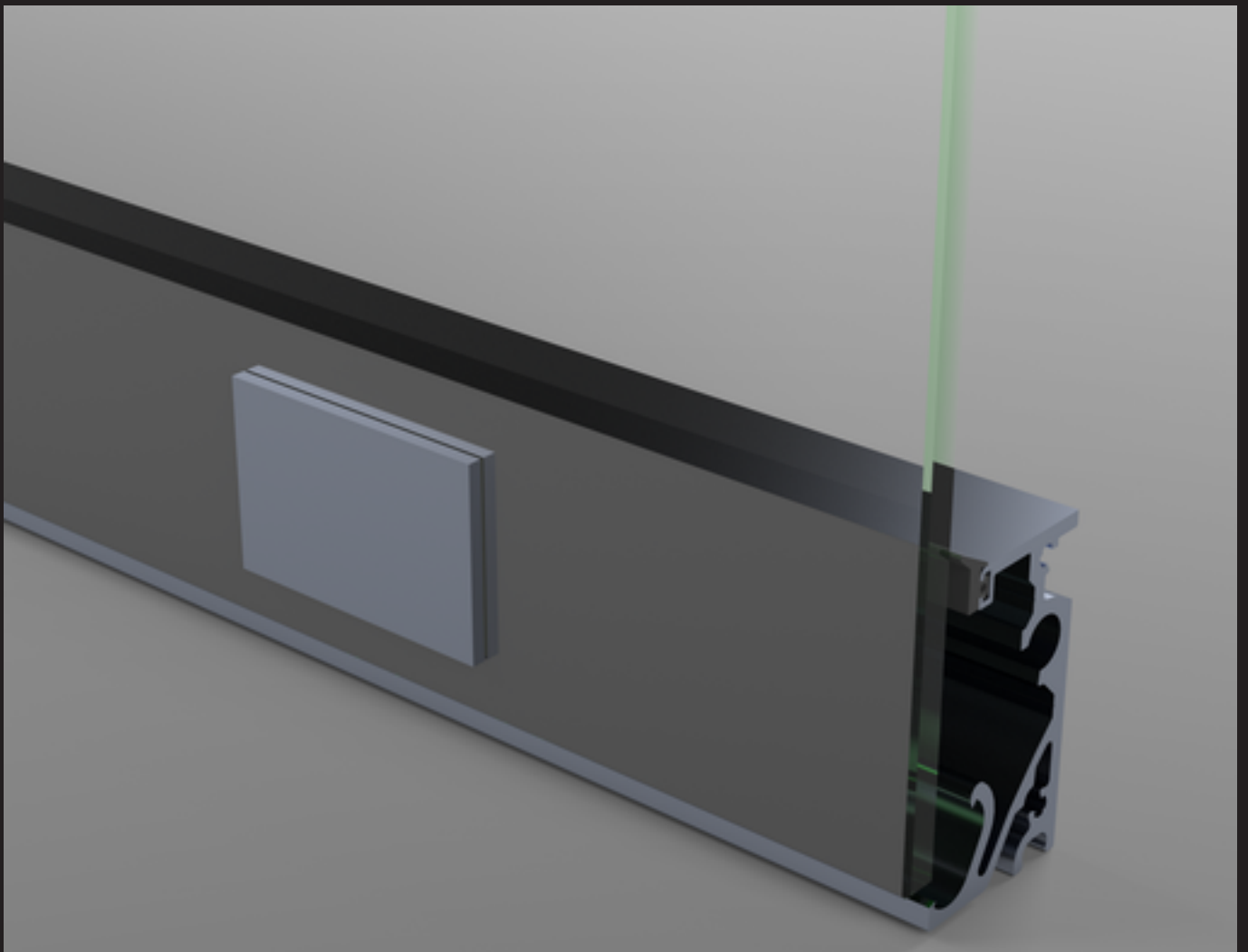
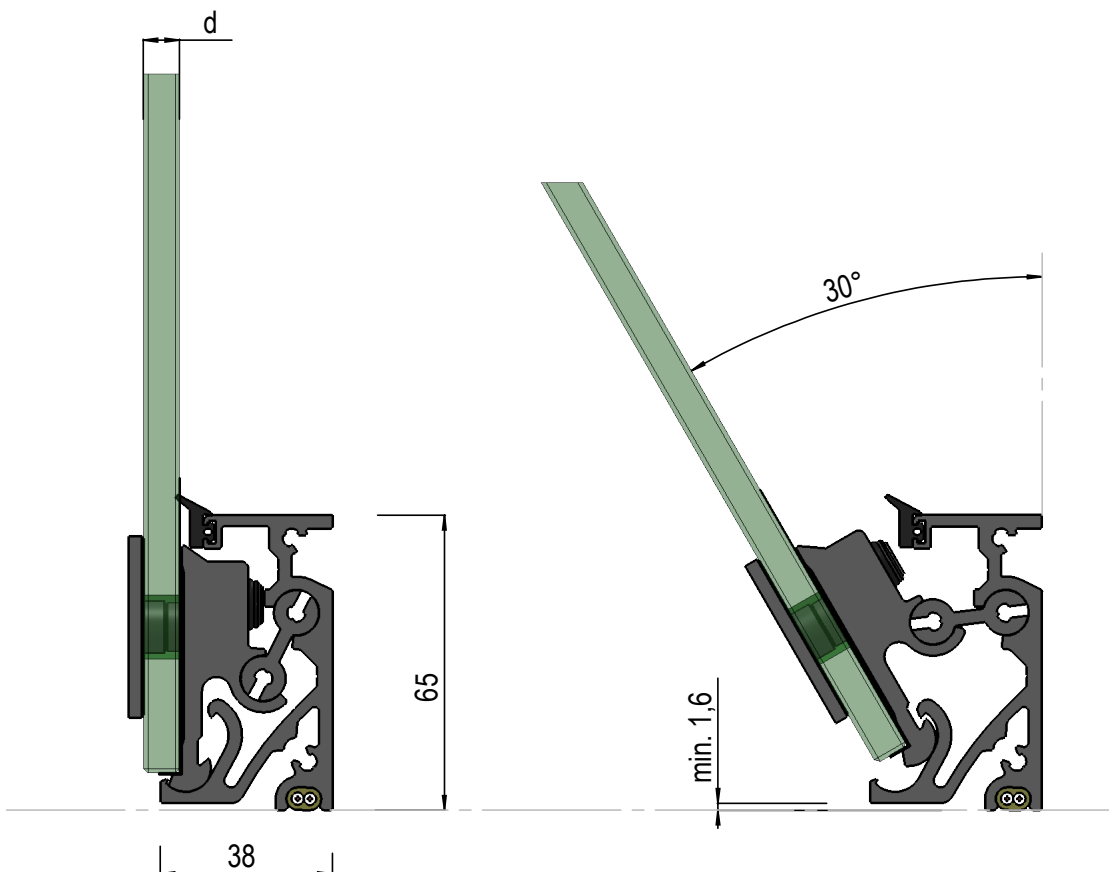


Type 150
Series 100 (without struts)



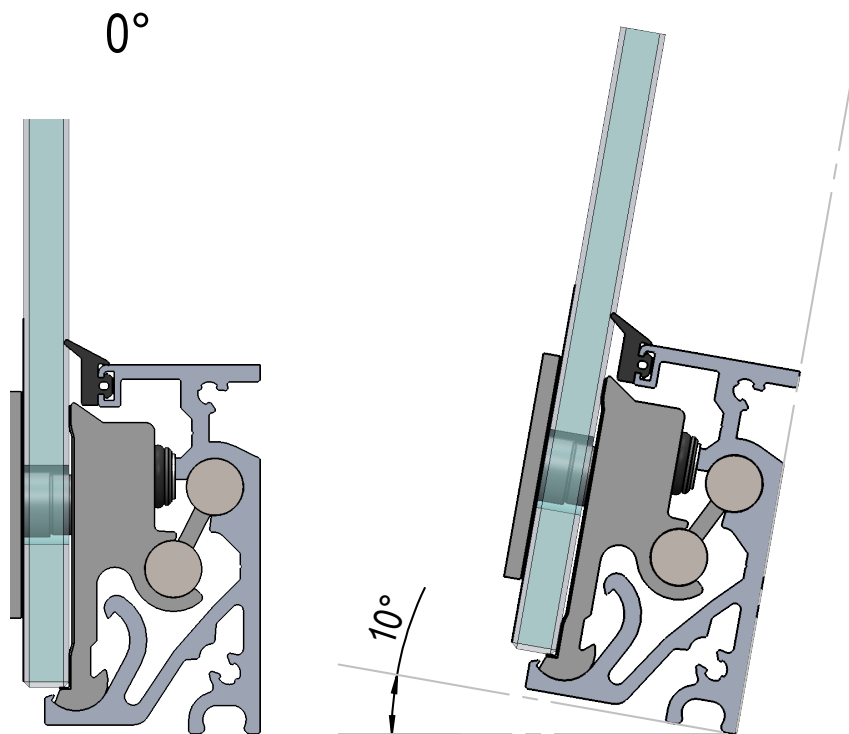
Product characteristics

- tilt-forward hardware for assembly in case or to case front
- dimensions 38 x 65 mm
- fully transparent front without glass clamp profile
- glass thickness 6, 8, 10 mm
- for straight vertical front glass
- glass height < 600 mm, length < 1600 mm
- suitable for double pane glass 16, 18, 20 mm
- suitable for straight front glass or L-shaped glass
- assembly inclined up to 10° possible
- noiseless locking without locking point
- opening of glass front max. 30°
- tilting of front glass continuously adjustable +/- 2°
- optional integration of heating wire
- optional price tag rail



Planning information

Hardware variations



Hardware mounted straight 0°

Hardware mounted 10°

Assembly

■ Base profile

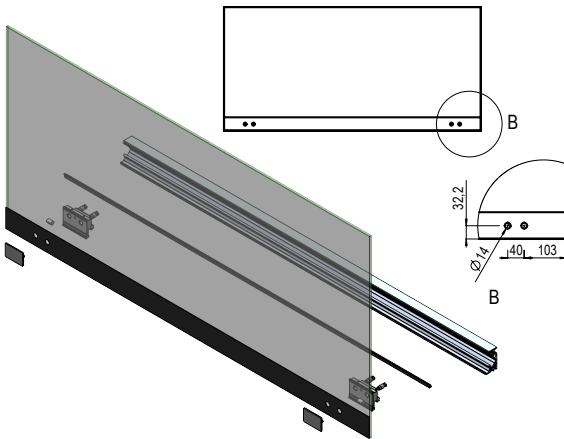
- before screwing the base profile in place, insert hinges by top part of lever and one stopper per hinge on exterior side of glass pane
- attention leave > 1.6 mm gap free below bottom side of base profile
- drill position of base profile:

Screw distance max. 150 mm.
 Countersunk screws Ø 4 mm with min. 30 mm length.
 Screw positioning parallel, not shifted, in both grooves.

■ Hinges and front glass

- position lever in the middle of the hinge, block by putting stoppers left and right

- before mounting the base profile, put 3rd stopper and the hinge (with top part of lever) into the base profile; the stopper must be at the outside of the hinge/glass; after that mount base profile to case
- use front glass drill holes in order to determine position of stopper in the base profile; fix stopper in this position and put hinge and lever next to it
- determine mid of front glass and position of the stopper of the second hinge; then fix stopper and put hinge next to it
- mount glass by means of glass holder and fasten by screwing to hinge



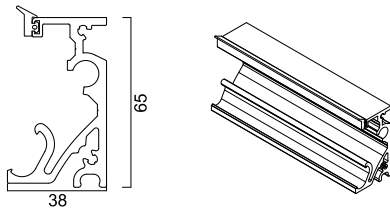
Adjusting glass front

We recommend using tempered safety glass.
Please note that we assume no warranty on the glasses.

Type 150
Picture

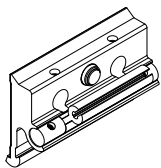
Product

Part number



Type 150 base profile
gasket 054.0560.086 not included

E-112584

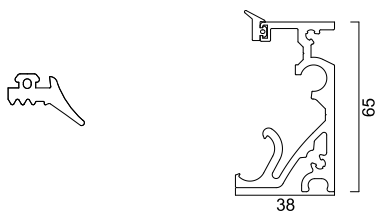


Type 150 hinge
incl. stoppers

E-113966

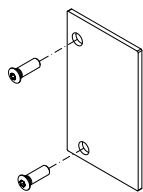
Type 150 glass support

- 6 mm **E-113245a**
- 8 mm **E-113245**
- 10 mm **E-113245c**
- 16 mm **E-113245d**
- 18 mm **E-113245e**
- 20 mm **E-113245f**



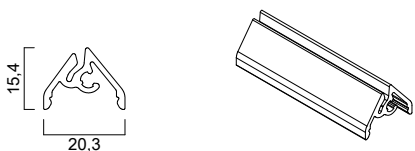
Type 150 gasket
for base profile

054.0560.086



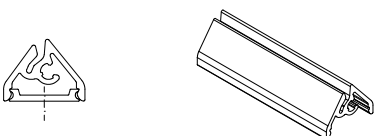
Type 150 end cap

E-113990



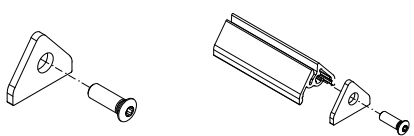
Price tag profile mini

5000mm **052.3913.XXX**



Price tag profile mini
incl. 20 pcs clamps 441.6757.000

5000mm **441.6755.XXX**

Picture	Product	Part number
 The image contains two technical line drawings. The left drawing shows a triangular end cap with a circular hole in its center and a small cylindrical protrusion on one side. The right drawing shows a rectangular price tag profile with a similar triangular end cap attached to its end. A small screw is shown being inserted into the hole of the end cap to secure it to the profile.	End cap for price tag profile mini für Preisauszeichnung mini inkl. Schraube	441.6754.XXX